

## BRY-AIR (ASIA) PVT. LTD.

20, RAJPUR ROAD, DELHI - 110054 (INDIA)  
 PHONE : 91-11-23906666 FAX: 91-11-3906600  
 E-MAIL: enquire@pahwa.com, Web site: www.bryair.com

## BRY SHEILD

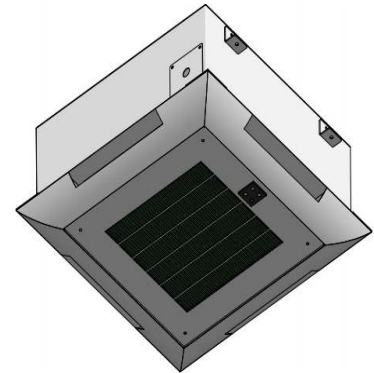
### Cassette Type Gas Phase Filtration/Air Purification Unit

**BRY AIR INTRODUCES MCU SERIES WITH HONEYCOMB GAS PHASE FILTER WITH FOLLOWING SALIENT FEATURES**

- |  |  |
|--|--|
| <p><b>High efficiency and reliability</b></p> <ul style="list-style-type: none"> <li>* Bry air, air purification Honeycomb bed recirculation/pressurization units(Bry Sheild) are the self-contained units.</li> <li>* Bry air purification system removes both organic and inorganic contaminants from the air and supplies air free of contaminant gases to the controlled environments.</li> <li>* Pre filter, 1/2" deep, efficiency : 90% down to 10 micron ASHRAE standard</li> <li>* Post filter, 1/2" deep, efficiency : 90% down to 10 micron ASHRAE standard</li> <li>* Noise Level &lt; 50 db. To Be Check &amp; replace</li> <li>* Unit operated with wireless remote controller for easy Operation</li> <li>* Unit designed to boost the air in all directions.</li> </ul> | <p><b>Easy to operate</b></p> <ul style="list-style-type: none"> <li>* Suitable for continuous operation.</li> <li>* Easy to handle due to low weight.</li> </ul> <p><b>Easy to install</b></p> <ul style="list-style-type: none"> <li>* Versatile, easy to package and handle.</li> <li>* Small footprint, low volume/weight per CMH</li> <li>* Ceiling Mounted cassette design for room space saving.</li> </ul> <p><b>Easy maintenance</b></p> <ul style="list-style-type: none"> <li>* Quick and easy to service</li> <li>* Easy honeycomb media replacement.</li> <li>* Easy, tool free access to all major components.</li> <li>* Quick serviceability and maintenance free operation</li> </ul> |
|--|--|

### SPECIFICAITONS SHEET FOR MCU-SERIES WITH HONEYCOMB GAS PHASE FILTER

MODEL	Air Flow		ESP (Pa)	MOTOR KW	POWER REQD. VAC/Ø/Hz	APPROX TOTAL WEIGHT (Kg)	No. of Media Bed
	CMH	CFM					
MCU-100	170	99.98	100	0.115	230/1/50/60	20	4
MCU-250	425	250	100	0.190	230/1/50/60	30	4

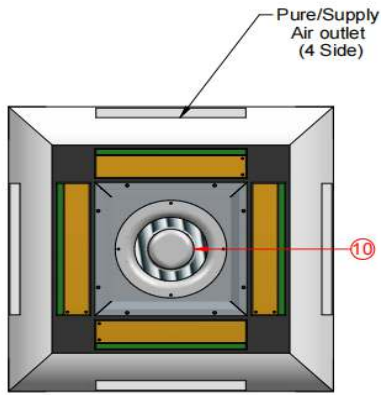


## DIMENSIONAL DATA & DUCT CONNECTION

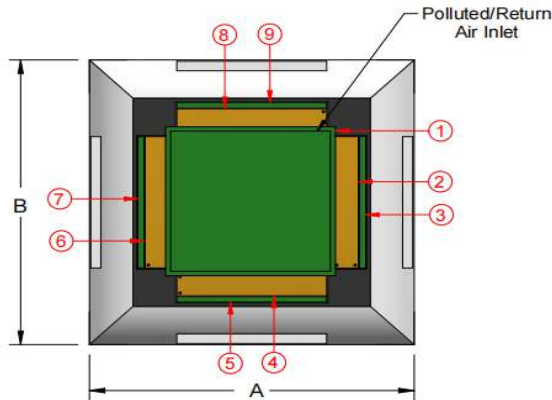
### Option-1 (with Ceiling Mounting)



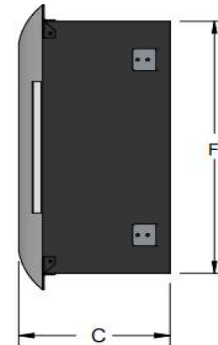
Top View



Front View



Front View



Right Side View

MODEL	UNIT DIMENSION DATA							Cutout Size	
	A	B	C	D	E	F	G		
MCU -100	650	650	155	50	105	575	575	585	585
MCU -250	650	650	305	50	255	575	575	585	585

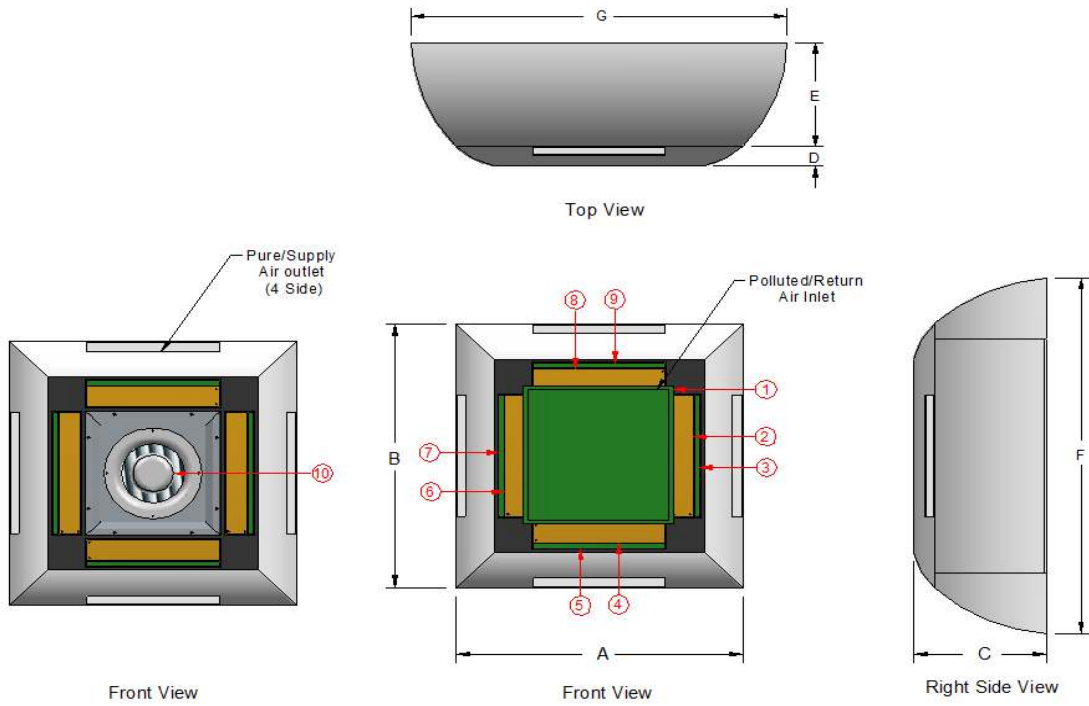
NO.	SPECIFICATION	NO.	SPECIFICATION
1	PRE FILTER	6	MEDIA FILTER 3
2	MEDIA FILTER 1	7	POST FILTER 3
3	POST FILTER 1	8	MEDIA FILTER 4
4	MEDIA FILTER 2	9	POST FILTER 4
5	POST FILTER 2	10	FAN MOTOR ASSY.

ALL DIMENSION ARE IN MILLIMETER



**DIMENSIONAL DATA & DUCT CONNECTION**

**Option-2 (with out Ceiling)**



MODEL	UNIT DIMENSION DATA SIDE COVER						
	A	B	C	D	E	F	G
MCU -100	650	650	155	50	105	875	850
MCU -250	650	650	305	50	255	732	725

NO.	SPECIFICATION	NO.	SPECIFICATION
1	PRE FILTER	6	MEDIA FILTER 3
2	MEDIA FILTER 1	7	POST FILTER 3
3	POST FILTER 1	8	MEDIA FILTER 4
4	MEDIA FILTER 2	9	POST FILTER 4
5	POST FILTER 2	10	FAN MOTOR ASSY.

ALL DIMENSION ARE IN MILLIMETER

Documents No. D0036-1  
Date: AUG.20,2022

ALL DATA SUBJECT TO CHANGE WITHOUT NOTICE

