

BRY-AIR (ASIA) PVT. LTD.

20, Rajpur Road, Delhi 110054
PHONE : 91-11-23912800 FAX: 91-11-23915127
E-MAIL: enquire@pahwa.com, Web site: www.bryair.com

**COMPACT DEHUMIDIFIER
VICTORY PLUS SERIES**

VICTORY PLUS WITH HIGH PERFORMANCE, **ECC-DRY** METAL SILICATE FLUTED
DESICCANT SYNTHESISED ROTOR

FEATURE HIGHLIGHTS

High efficiency and reliability

- * A totally self contained unit
 - * CNC fabricated unit(s) with powder coated finish
 - * Rotor media has high performance metal silicates synthesized in situ.
 - * Rotor incorporates robust internal structure with stainless steel perimeter flange for industrial quality, durability and easy serviceability.
 - * Unit is compatible with both 100 mm and 200 mm deep rotors.
 - * Rotor perimeter flange extends media and seal life
 - * Edge hard face coating on rotor ensures long life and good sealing for media and seals.
 - * Rotor is non-flammable with organics < 2%.
 - * Process and reactivation air flow sectors are insulated
 - * Unique teflon with silicon sponge seal design; minimized air leakage
 - * Process fan with brushless DC motors for 200 to 1000 CMH units on sliding plate for easy access.
 - * Process fan with EC motors for 1500 and 2000 CMH units on sliding plate for easy access.
 - * PTC Heaters upto Victory plus 420 Model.
 - * All operations automatized using PLC.
 - * Access and maintainance to components from operation side only.
 - * Spigots on dismountable adapter plate for easy connection at inlet and outlet for extra equipment by flange rubber ducts.
 - * Integrated by pass purge air (process air if it is senseful)
 - * Integrated PID Controller with 2 fix setpoints.
 - * Speed controlled brushless/EC systems.
- Necessary control and safeties**
- * Differential air pressure switch for providing react air flow.
 - * High temperature safety thermostat cutout.
 - * Microprocessor based controller for easy operation and having various options.
 - * Electrical interlocking of fan motors, heaters and rotor drive.

Easy to operate

- * Suitable for continuous operation

Easy to Install

- * Several mounting and installation options
- * Small footprints; low volume/weight per CMH.

Easy to maintain

- * Quick and easy to service
- * Rotor is water washable

Options

- * Humidity control through digital humidistat
- * Measuring and display differential pressure or air flow.
- * Touch Screen
- * Weatherproof design.
- * Pre and post cool modules
- * Temperature display for process inlet/outlet & react outlet
- * Display of airflow %
- * Power consumption
- * Output: 3 x 0.....10V (extra;control valve, SCR)
- * PID regulator for variable process air flow
- * PID regulator for control valves
- * PID regulator for heaters
- * Modbus communication

COMPACT DEHUMIDIFIER - VICTORY PLUS... SPECIFICATION

MODEL	PROCESS AIR FLOW CMH	PROCESS ESP (Pa.)	PROCESS MOTOR KW	REACT. AIR FLOW CMH	REACT. ESP (Pa.)	REACT. MOTOR (KW)	REACT. HEATER KW	POWER * REQD. (v/Ø/Hz.)	APPROX. WEIGHT Kg.
VICTORY PLUS 200	200	200	0.24	39	200	0.12	1.4	230 /1/ 50	60
VICTORY PLUS 420	420	200	0.24	83	200	0.12	2.8	230 /1/ 50	70
VICTORY PLUS 700	700	200	0.3	138	200	0.15	4.8	415 /3/ 50	130
VICTORY PLUS S 800 **	800	200	0.6	160	200	0.3	4.5	415 /3/ 50	132
VICTORY PLUS 1000	1000	200	0.3	197	200	0.15	7.2	415 /3/ 50	135
VICTORY PLUS S 1100 **	1100	250	0.6	400	250	0.3	10.8	415 /3/ 50	140
VICTORY PLUS 1500	1500	200	1.6	295	200	0.3	10.8	415 /3/ 50	290
VICTORY PLUS 2000	2000	200	1.6	393	200	0.3	13.9	415 /3/ 50	290

* Note:- Other voltage available are 200/220/240/380/440/460 VAC, 1Ph/3Ph, 50/60 Hz

* All above specification is for 100 mm deep rotor only.

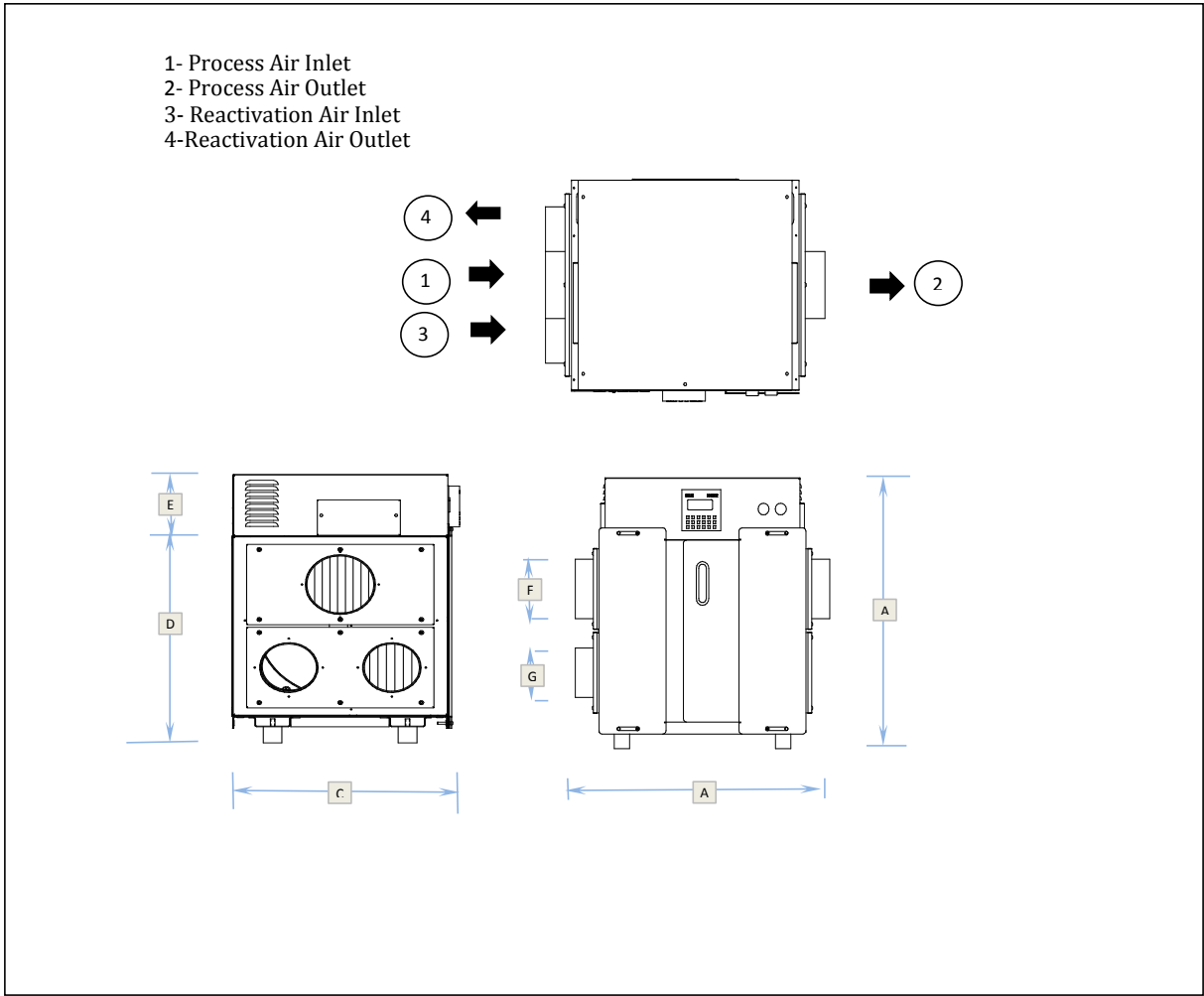
** Models are with 200 mm deep Rotor



ALL DATA SUBJECT TO CHANGE WITHOUT NOTICE



DIMENSIONAL DATA & DUCT CONNECTION (mm)



MODEL	UNIT DIMENSIONAL DATA (mm)					Process Duct Connection		Reactivation Duct Connection	
						Inlet	Outlet	Inlet	Outlet
	A	B	C	D	E	F	G	H	I
VICTORY PLUS 200	665	630	400	410	150	125	125	75	75
VICTORY PLUS 420	665	670	460	450	150	150	150	125	125
VICTORY PLUS 700	774	878	664	654	150	250	250	150	150
VICTORY PLUS S 800	874	878	664	654	150	250	250	150	150
VICTORY PLUS 1000	774	878	664	654	150	250	250	150	150
VICTORY PLUS S 1100	874	878	664	654	150	250	250	150	150

Note : All dimensions in mm.

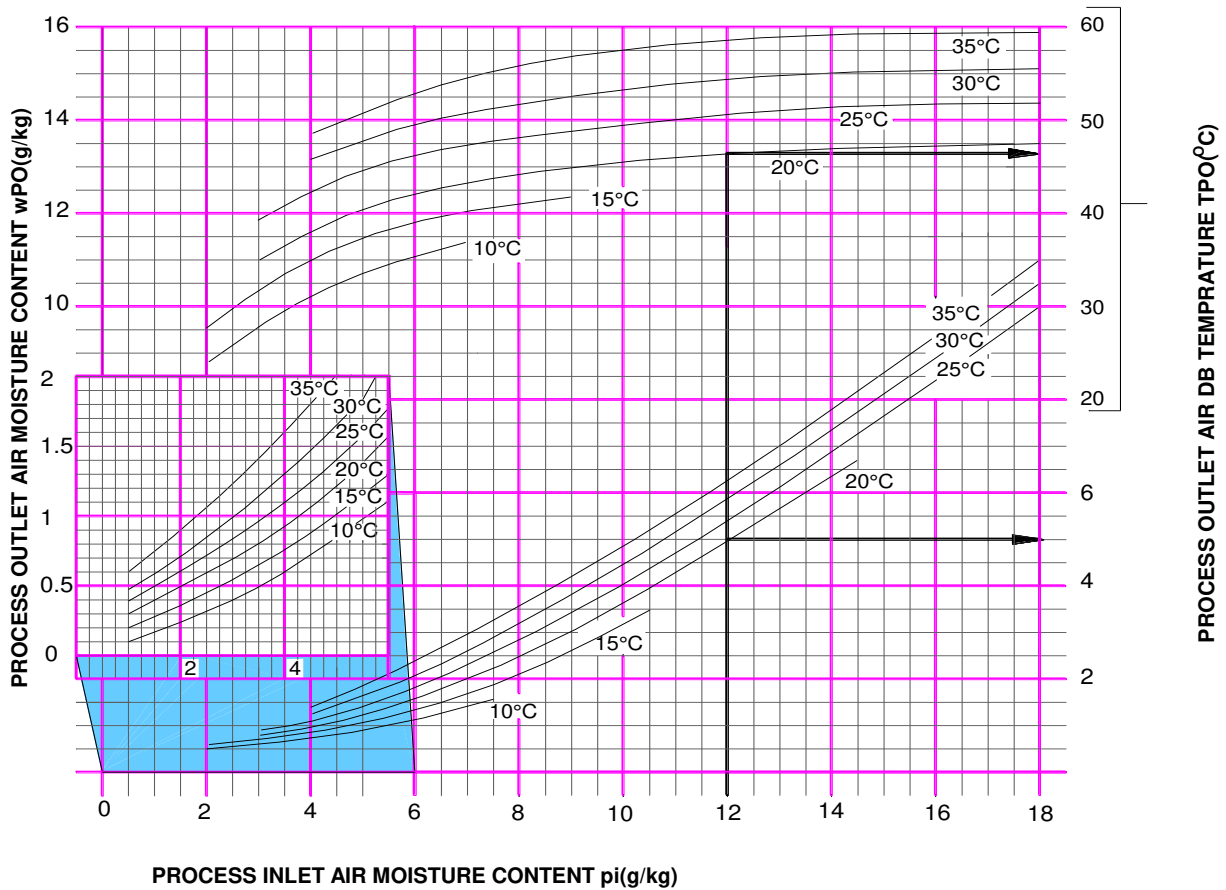
ALL DATA SUBJECT TO CHANGE WITHOUT NOTICE



PERFORMANCE CHART VICTORY PLUS-SERIES

Performance charts are for nominal process airflow within the operating range each Victory Plus Series and assumes WPI = WRI. Please consult bry-air for other specific condition.

NOMINAL PROCESS AIR FLOW



PROCESS INLET AIR MOISTURE CONTENT $pi(g/kg)$

Example :-

Conditions:

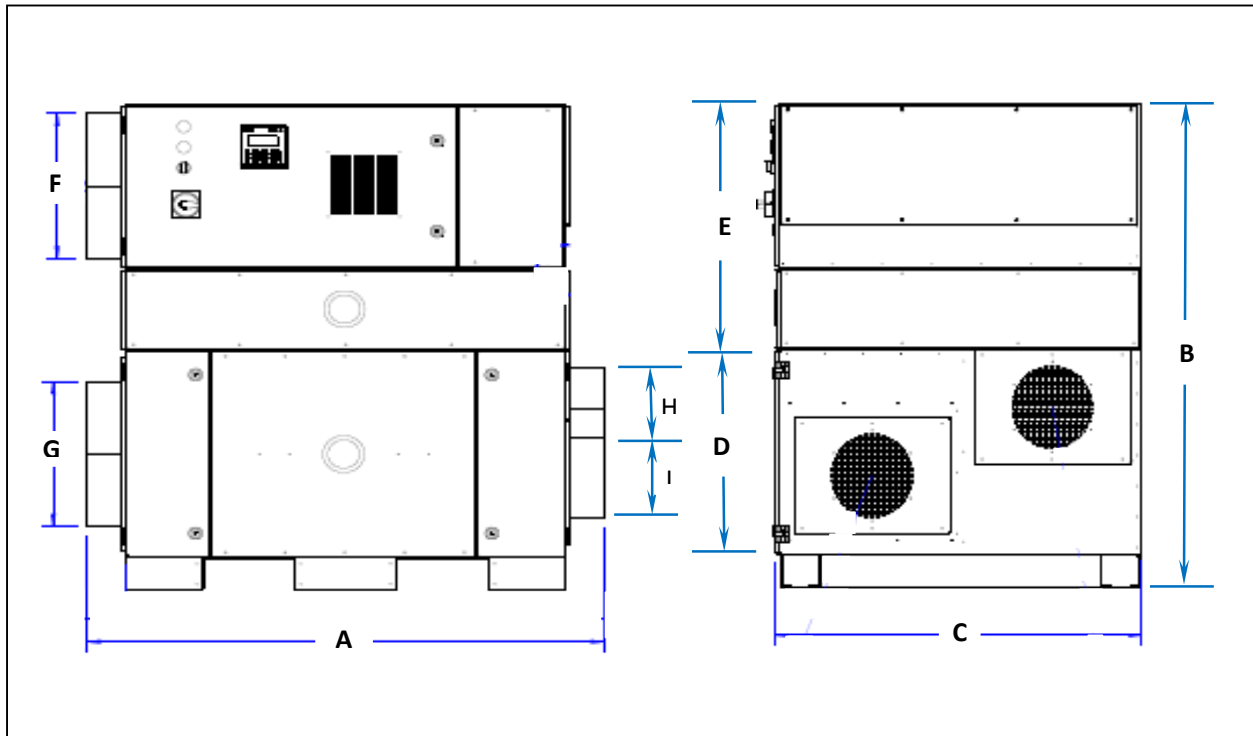
process inlet w PI = 12g/kg,
Process inlet T PI. = 20⁰c

Chart data :-

process outlet w PO = 5g/kg,
Process outlet T PO. = 46.5⁰c

ALL DATA SUBJECT TO CHANGE WITHOUT NOTICE





MODEL	UNIT DIMENSIONAL DATA (mm)					Process Duct Connection		React Duct Connection	
	A	B	C	D	E	Inlet	Outlet	Inlet	Outlet
						F	G	H	I
VICTORY PLUS 1500	1118	1180	911	500	600	352	352	200	200
VICTORY PLUS 2000	1118	1180	911	500	600	352	352	200	200

Note : All dimensions in mm.

ALL DATA SUBJECT TO CHANGE WITHOUT NOTICE

