

MOISTURE MINDER

SWISS + MADE

BRYSCAN series

www.bryscan.com

INSTANTLY MONITORING ACTUAL MOISTURE CONTENT

Retrofit ANY existing hopper, silo, material line or process machine throat



NO MORE

- guesswork with dew point and time-based estimates!
- wasteful over-drying!
- under-drying because of changes of incoming resin!
- time-consuming offline testing that identifies out-of-spec material after bad parts are produced.

Inline Moisture Analyzer for Pellets, Powders and other Raw Materials. Organic and Synthetic Products

The Moisture Minder™ sensor is the only online, real time moisture analyzer that provides moisture content of hygroscopic plastics in percent or ppm (parts per million).

Innovative moisture sensors capable of measuring moisture content down to 5 ppm

BRYSCAN sensors are built as a moisture analyzer inline and are extremely useful in measuring internal and superficial moisture. It is a robust and powerful asset to a wide variety of industries like food processing, grain milling, extrusion, injection moulding, construction material, chemical and pharma. Our instruments are specifically designed for flow-through use, allowing straightforward sampling for the defined location. Moisture Minder is the answer to the earliest demand for fast and easy measurement with a high accuracy and repeatability

Capabilities and Advantages

To deliver pioneering technology in moisture measurement. BRYSCAN is a proprietary technology of Bry-Air PROKON and is patent protected in several geographies. Propelled by the accomplishments of our technology specialists and senior engineers, we have developed a deep domain expertise in moisture content measurement.

Benefits

How many lost hours and money did your company experience last year from bad product due to undesirable resin moisture levels? Whether it was simple regrind material that was under dried, or worse, unusable molds and lost material due to brittle nylons, discoloration, splaying, bubbling, or streaking from over drying; Introducing Moisture Minder sensors in your process, will save you energy and waste, making your facility more productive. A significant reduction in rejected product, rework, or scrap can be realized, along with a decrease in the need for manual laboratory testing. BRYSCAN systems will return its own cost in just a matter of months. Now you can fine tune your setup to make sure you are putting out a higher quality and more consistent product and ultimately improve your bottom line.

How It Works

Moisture Sensing Technology measurement technique is based upon the relatively high dielectric permittivity of water (80-30) in comparison to the dielectric properties of the polymers (2-5) and also includes the measurement of diamagnetic properties of water. The variation of water content within the product, would result in a large variation in the combined dielectric constant, which would then be measured by monitoring the changes in the dielectric signal. Additionally at particular excitation frequencies, measurement is effected by two dielectric absorption peaks for free and bound water molecules. By using sophisticated, built-in microprocessor, developed jointly with the University of South of Switzerland (SUPSI), we can utilize data to calculate the actual moisture content of a resin as it is passes through the Moisture Minder™ sensor.



Bryscan™ sensors have been designed to meet the most demanding requirements and needs expressed by the industry. The rugged stainless-steel body, supplies long life with accurate results. The measuring method enables the determination of core moisture content independently to the density, colour and surface structure of the measured material. Based on compact construction, they can be easily installed in various places within the production line. The products are built using quality components, to the highest standards and specifications. We can therefore offer our product guaranteed by the Swiss-made technology.



Patented



Total Traceability

Integration and Production Traceability of moisture data is a must in Medical and Automotive industries. Moisture Minder™ can collect dynamic production process information, optimize production allocation, achieve advanced manufacturing and trace the production process of products. Furthermore this production process information can be monitored remotely by pc, tablet or smatphone.



Direct Inline measurement

By implementing Moisture Minder™ you will eliminate the need for Offline Moisture Analyzers. Save money, time and prevent negative results due to inconsistencies and human error. Offline Moisture Analyzers are ineffective at preventing bad product because the product has already been produced by the time the test is done. Instead of relying on a 10 gram sample to represent an entire hopper full of resin, wouldn't it be more practical and efficient if you knew the moisture content of all the resin coming out of your hopper ?



Measure Function

Moisture Minder™ uses indirect methods and a calibration against a known moisture amount is required. The physic values are allocated to the values using a primary reference methods (e.g. Karl Fisher). The system calculates and stores the calibration line and the correlation coefficient taken from laboratory. The system offers a wide database of products.



Step into the future

Moisture Minder™ is an important step to achieve the Smart Factory, our systems are able to communicate with other devices and adjust important parameters of production. Moisture Minder™ is designed to be interfaced with the most advanced technologies. Ease of use has been achieved paying detailed attention to the physical and logical ergonomics of the navigation menu, settings, calibrations, schedules and alarms.



Non invasive/non contaminating sensor
Improves material properties
Continuous check of dryer efficiency
Quality monitor
Source reduction
Maintenance free
Auto-Calibration

Technical specifications

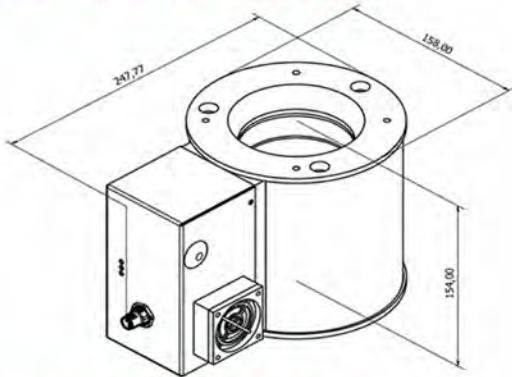
Sensor

- Stainless Steel/PTFE/PEEK
- Supply Voltage 90...230VAC
- Moisture range: 0.1 to 0.0005 +/- 1% F.S.
- Accuracy: Complies with ASTM D7191-10
- Repeatability: Complies with ASTM D7191-10
- Temperature range: 10 to 200°C
- Sample rate: 30mS

Control

- 7" Touch-view controller
- MAX/min Alarms
- Product recipes database
- Trends / data recorder
- Interfaces: Ethernet/Modbus/VNC
- Slide Gate Option diverts "Out-Of-Spec" material -
- Options: Digital and Analog I/O Modules

Dimensions (mm)



Connectivity

Record all the data related to Moisture and Temperature and save it to USB or SD card. The USB port can be used to upgrade Moisture Minder to latest software version.



Sensors Network

The 7" High Resolution Touch panel controls up to 8 sensors. The system can be upgraded anytime without any additional hardware. Sensor Network Trunk and Drop Extension Cables: Lengths of 5, 10, 30 and 50 meters. Male/Female and T-adaptor for Easy Coupling May be combined under 150 meters to get to proper length.



Storage Devices

Monitor, Configure and Control your production from anywhere, quickly and easily. Our system allows full access with to Moisture Minder with a PC, tablet or smartphone



Bry-Air PROKON GmbH
Via Passeggiata Mag. XII
CH-6828 Balerna
Switzerland
Tel. +41 91 683.09.71
mail:info@pro-kon.ch

BRY-AIR (ASIA) PVT. LTD.

Corporate Office:
21C, Sector-18, Gurgaon 122015
Phone: +91-124-4091111
Fax: +91-124-4091100
E-mail: bryairmarketing@pahwa.com

Registered Office:
20, Rajpur Road, Delhi 110054
Phone: +91-11-23906666
Fax: +91-11-23906600
E-mail: enquire@pahwa.com
Web: www.bryair.com
CIN: U74210DL1981PTC012456

City	Phone
DELHI	+91-11-23906666
CHANDIGARH	+91-172-4678806/7
MUMBAI	+91-22-24935155/24947475
VADODARA	+91-265-2351493
KOLKATA	+91-33-22814841/22814877
BENGALURU	+91-80-25271232
HYDERABAD	+91-40-27154243
CHENNAI	+91-44-26163820/29/40
KOCHI	+91-484-2395940

E-mail
enquire@pahwa.com
bryairchandigarh@pahwa.com
bryairmumbai@pahwa.com
bryairbaroda@pahwa.com
bryairkolkata@pahwa.com
bryairbangalore@pahwa.com
bryairhyderabad@pahwa.com
bryairchennai@pahwa.com
bryairkochi@pahwa.com

Country
BRY-AIR (USA)
BRY-AIR (MALAYSIA)
BRY-AIR (CHINA)
BRY-AIR (BRAZIL)
BRY-AIR (NIGERIA)
BRY-AIR (UAE)
BRY-AIR (PHILIPPINES)
BRY-AIR (INDONESIA)
BRY-AIR (VIETNAM)
BRY-AIR (BANGLADESH)

Phone	E-mail
+1-740-965-2974	bryair1@bry-air.com
+60-3-89256622	bryair@bryair.com.my
+86-21-51591555	info@bryair.com.cn
+55-41-36982222	contato@bryair.com.br
+234-8097276772	bryairnigeria@pahwa.com
+971-6-5574622	support@bryair.ae
+63-2-8078436	mail@bryair.ph
+62-21-79199023	indomark@bryair.com.my
+84-8-39956498	vietmarketing@bryair.com.my
+880-1819409100	bryairbangladesh@pahwa.com

An ISO 9001:2008 and 14001:2004 Company

©, ® & 'TM' of Bry-Air (Asia) Pvt. Ltd.

PAWA GROUP
Innovation is life

